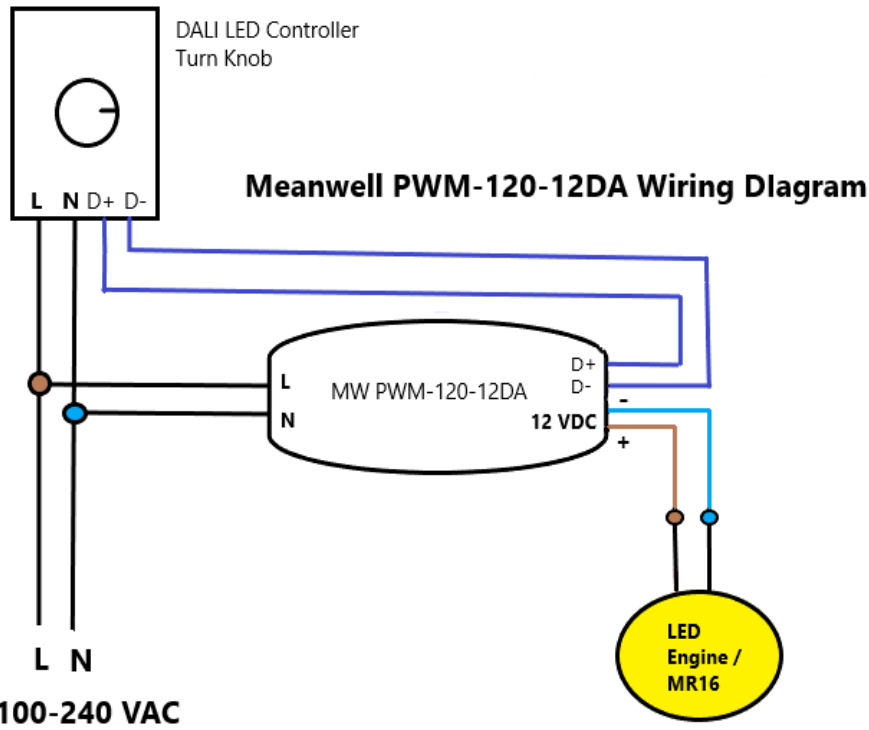




DALI Dimming - Worksheet #1

Meanwell PWM-120-12DA Power Supply

Sunricher DALI LED Controller Turn Knob SR-2400RB	Beachside LED Engine	Dimming Range	Voltage Drop									Load Capacity (83% / 12v)
			14 AWG			12 AWG			2.5mm			
			50ft	100ft	150ft	50ft	100ft	150ft	15M	30M	50M	
100W	2 watt Amber/Red-Orange	1%-100%	0.6v	2.7v	4.8v	0.4v	0.8v	1.2v	0.3v	0.5v	0.7v	
	3 watt	1%-100%	0.6v	2.7v	4.8v	0.4v	0.8v	1.2v	0.3v	0.5v	0.7v	
	4 watt	1%-100%	0.6v	2.7v	4.8v	0.4v	0.8v	1.2v	0.3v	0.5v	0.7v	
	7 watt Amber	1%-100%	0.6v	2.7v	4.8v	0.4v	0.8v	1.2v	0.3v	0.5v	0.7v	
	8 watt Red-Orange	1%-100%	0.6v	2.7v	4.8v	0.4v	0.8v	1.2v	0.3v	0.5v	0.7v	
	11 watt Warm White	1%-100%	0.6v	2.7v	4.8v	0.4v	0.8v	1.2v	0.3v	0.5v	0.7v	
Beachside MR16												
100W	5 watt	1%-100%	0.6v	2.7v	4.8v	0.4v	0.8v	1.2v	0.3v	0.5v	0.7v	
	7.5 watt	1%-100%	0.6v	2.7v	4.8v	0.4v	0.8v	1.2v	0.3v	0.5v	0.7v	





DA/DA2-Type

